

STANDARD TOLERANCES (UNLESS OTHERWISE SPECIFIED)		DRAWN	06/28/22		KELVIN Phone: (646) 902-4328 KEL.VIN	Brooklyn Navy Yard Building 303 Suite 702 Brooklyn, NY 11205	
ANGULAR	+_- 1	MATERIAL					
FRACTIONAL	+_- 1/32"	MATERIAL			TITLE The COZY Components for custom enclosures		
DECIMAL	XX +_- 0.01 XXX +_- 0.005	FINISH					
HOLES	+_- 0.007	MACHINE PROGRAM NO.			SIZE A		
THIS DRAWING IS PROPERTY OF KELVIN , AND IS TRANSMITTED IN CONFIDENCE. REPRODUCTION, USE OR DISCLOSURE, IN WHOLE OR IN PART, OF DESIGN AND DETAILS CONTAINED HEREIN IS PROHIBITED WITHOUT WRITTEN PERMISSION FROM KELVIN.				THIRD ANGLE PROJECTION			
						SCALE As Noted	

Custom Cover Components

Clinton Hill Co-Ops

For Illustrative Purposes Only – Not Drawn to Scale

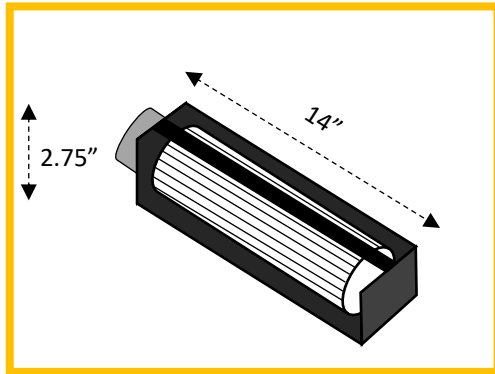


Figure 1: Crossflow Fan

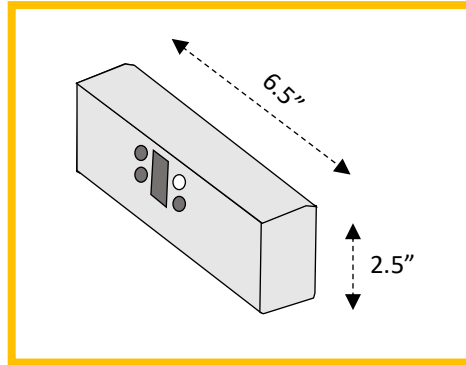


Figure 2: "Clamshell" Control Module

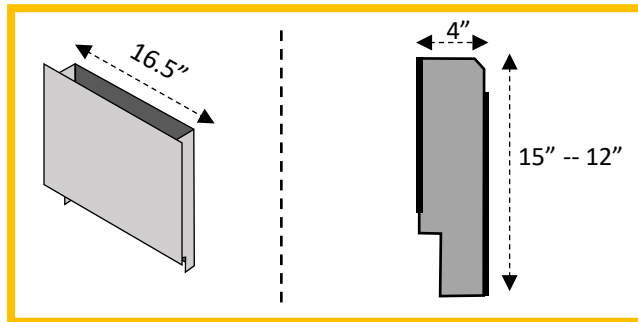


Figure 3: Duct – Isometric and Profile View

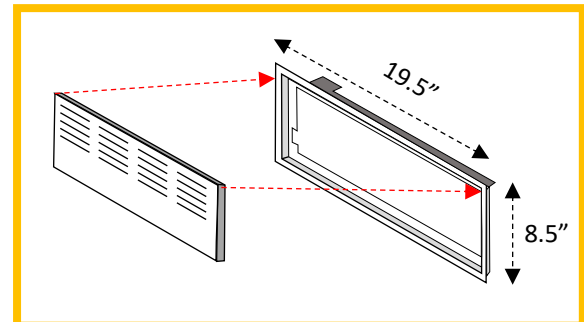


Figure 4: Front Grille and Front Grille Housing.
The front grille is the air intake for the fan.

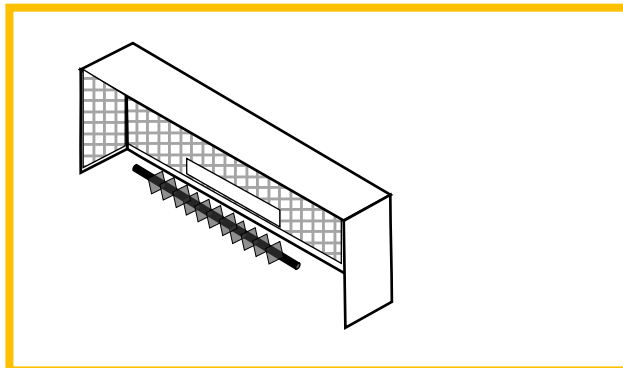


Figure 5: Generic Radiator Cover – Can be constructed out of wood or metal but must have a front opening for the front grille. All interior surfaces must be insulated with thermoacoustic insulation (R Rating: 2.2)

Custom Cover Generic Installation Process

Clinton Hill Co-Ops

Note: Not intended for installation instruction

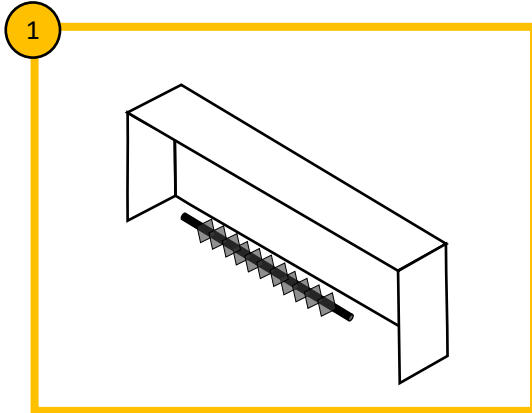


Figure 5: Generic Radiator Cover

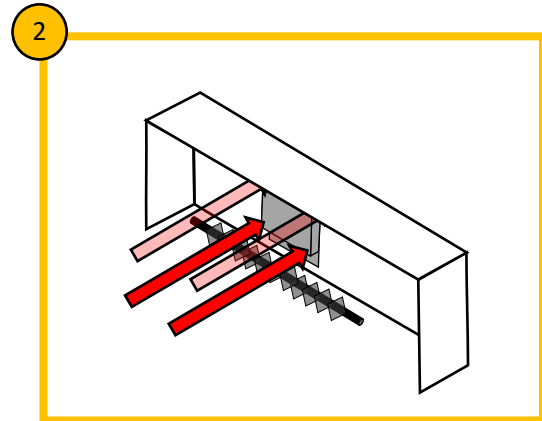
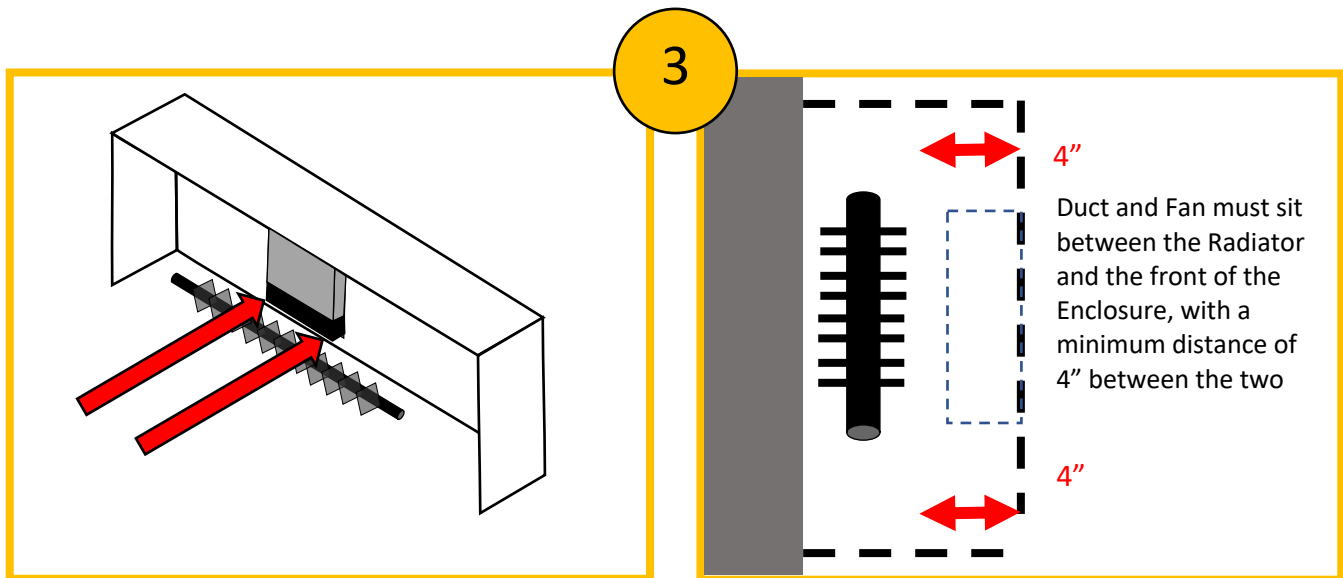


Figure 6: Affix the Duct to the rear of the Radiator Cover, and the front grille & front grille housing to the front.



Figures 7 & 8: The Fan must be at the bottom of the duct, and there must be a minimum of 4" between the fan and the radiator fins. The Front Grille must be directly in front of the fan on the frontside of the enclosure.

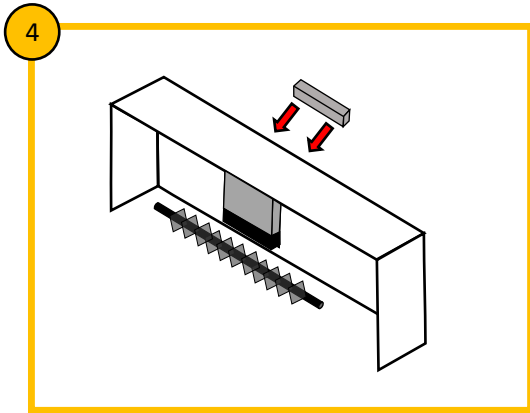


Figure 9: The Clamshell Control Module must be secured to the outside of the Radiator Cover with a clear line-of-sight into the room

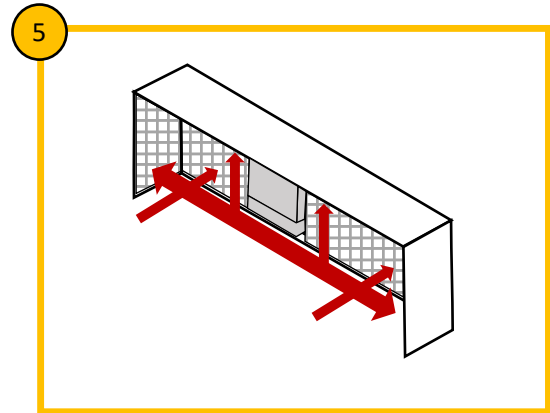


Figure 10: The enclosure must be insulated on all interior surfaces (top, front, sides) with no gaps. The insulation must have a R-rating of 2.2

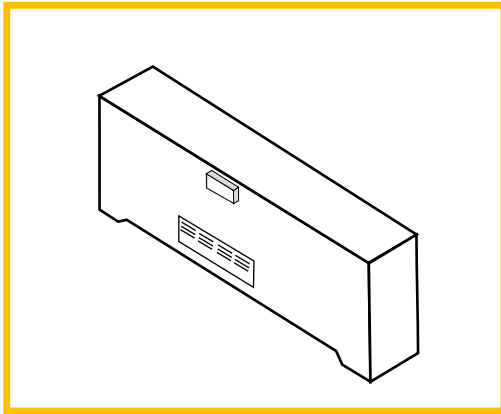


Figure 10: A front view of the enclosure with the front grille for air intake and clamshell control module affixed. Note the clamshell control module does not need to be in the center. The front grille is required to be inserted into the cabinetry from the exterior.

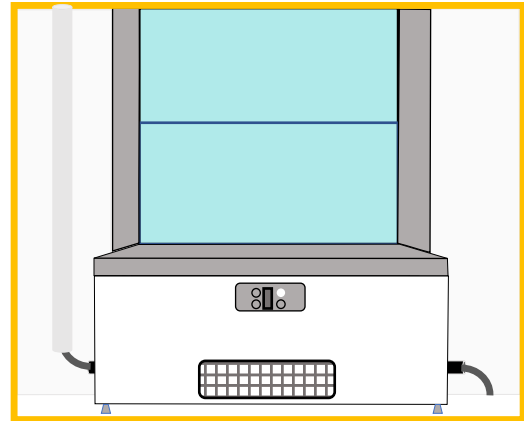


Figure 11: Successful retrofit. Note the grill at the bottom for the fan and the Clamshell Control Module at the top, as well as the insulated riser.